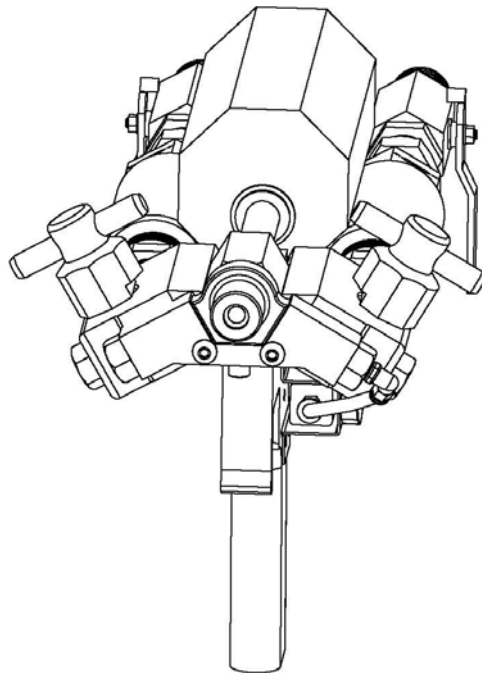




Gun Parts Identification Manual AutoShot



CONTENTS

List of Figures:

Gun Dispenser Assembly	3
Gun Head Assembly Exploded view	4

List of Tables:

Table 1. Final Head Assembly Parts	4
Table 2. Recommended On Hand Spare Parts	6

GENERAL NOTES ON SAFETY

The equipment described herein must only be operated or serviced by properly trained individuals. Operators should fully understand and follow instruction, safety guide lines, and be familiar with the limitations of the equipment.

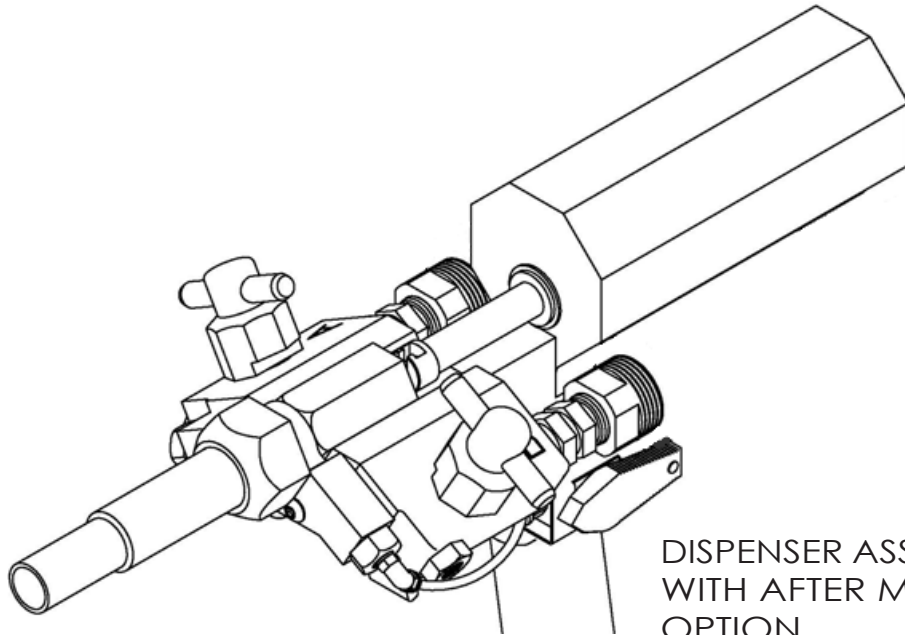
DISCLAIMER NOTICE: ALL INFORMATION, STATEMENTS, DRAWINGS AND DATA GIVEN HEREIN ARE BELIEVED TO BE ACCURATE AND RELIABLE BUT SUCH INFORMATION, STATEMENTS, DRAWINGS AND DATA DO NOT PRESENT ANY GUARANTY, WARRANTY OR RESPONSIBILITY OF ANY KIND EXPRESSED OR IMPLIED.

THE USER SHOULD NOT ASSUME THAT ALL SAFETY MEASURES ARE INDICATED HEREIN OR THAT OTHER SAFETY MEASURES MAY NOT BE REQUIRED.

Contact Parts & Equipment and Technical Support at 877-737-4362

DISPENSER ASSEMBLY

Output Lbs/Min	15	30	50
Part No	236852	238858	236838



DISPENSER ASSEMBLY
WITH AFTER MIXER
OPTION

EXPLODED VIEW - FINAL ASSEMBLY

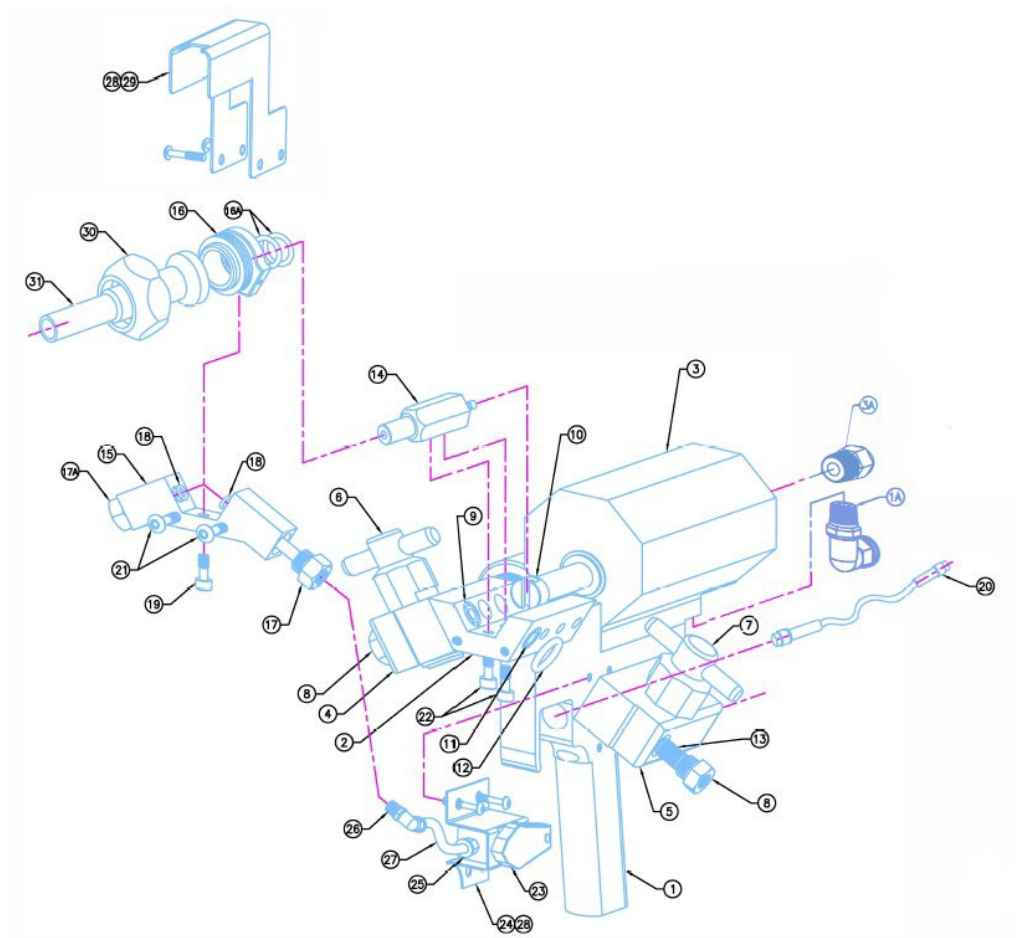


Table 1. Final Assembly Parts

Item No	Part No	Description	Qty
1	236837	Gun Handle	1
1a	236506	Handle Air-line fitting	1
2a	236852	Cartridge Carrier 15 Lbs/min output	1
2b	237611	Cartridge Carrier 30 lbs/min output	1
2c	236838	Cartridge Carrier 50 lbs/min output	1
3	236839	Air Cylinder assembly	1
3a	236505	Air Cylinder Air line fitting	1
4	236840	A side Valving Block (Iso)	1
5	236841	B side Valving Block (Polyol)	1
6	236688	A side Plug Valve (Red)	1
7	236689	B side Plug Valve (Blue)	1
8	236690	Filter Cap with O-Ring (-013 Teflon)	2
9	236691	Cartridge seat O-Ring (-012 Teflon)	2
10a	236774	1/4" Push-Pull Adapter for 15 lbs/min	1
10b	236774	1/4" Push-Pull Adapter for 30 lbs/min	1
10c	239943	3/8" Push-Pull Adapter for 50 lbs/min	1

Table 1. Continued Final Assembly Parts

Item No	Part No	Description	Qty
11	236692	Carrier Outer O-Ring (-013 Teflon)	2
12	236693	Valving Block Outer O-Ring (-016 EPDM)	2
13	236399	Filter Screen	2
14a	236852	Mixing Cartridge Assembly 15	1
14b	238858	Mixing Cartridge Assembly 30	1
14c	236838	Mixing Cartridge Assembly 50	1
15	236844	Cartridge Tip Adapter Carrier	1
16	236699	Straight After Mixer Adapter	1
16a	236693	Cartridge Tip Adapter O-Ring (-016 EPDM)	2
17	236845	Adapter Air Check Valve Assembly	2
17a	N/A	Check Ball Inlet Fitting with Plug	1
18	236694	Cartridge Tip Adapter Carrier Seat O-Ring (-008 TFE)	2
19	N/A	Cartridge Tip Adapter Mounting Screw: 10-32 X 1/2" SHCS	1
20	236404	Trigger Switch Pig Tail Assembly, 3 ft long	1
21	N/A	Tip Adapter Carrier Mounting Screw, 8-32 x 1" SHCS	2
22	N/A	Cartridge Mounting Screw, 10-32 x 5/8" Lg SHCS	2
23	236695	Air Purge Valve	1
24	236834	Air Purge Valve Bracket	1
25	236696	Air Purge Valve Inlet & Outlet fitting	2
26	236697	Air Purge Fitting Swivel 90Deg	2
27	236504	Air Purge Polyflow tube (4.5" Lg)	1
28	N/A	Rod Cover Mounting Screw, 10-32 UNC x 3/8" BHCS	4
29	236835	Air Cylinder Rod Cove	1
30	236698	Small After Mixer Flare Nut	1
31	236836	Small After Mixer	1
32	236836	Small Mix Elements Only	1
33	236698	Large After Mixer Flare Nut	1
34	237621	Large After Mixer	1
35	309990	Large Mix Elements Only	1

* Note:

The Listed Outputs in Lbs/Min are Rated outputs. The Actual output is determined after the system is set up and actual chemical ratios and weights are measured.

Recommended Spare Parts

QTY Shown is for Reference only. Actual QTY depends on number of guns employed and chemical usage.

Table 2. (Part Numbers Shown According To Output In Lbs/Min)

Part Description	15	30	50	QTY
Mixing Cartridge Assembly	236852	238858	236838	1
Cartridge Seat O-ring (-012 Teflon)	236691	236691	236691	6
Cartridge Tip Adapter O-ring (-016 EPDM)	236693	236693	236693	4
Cartridge Tip adapter	236694	236694	236694	
Straight After Mixer Adapter	236699	236699	236699	2
Air Purge Fitting Swivel 90Deg	236697	236697	236697	2
Filter Cap with O-ring (-013 Teflon)	236690	236690	236690	2
Small Flare Nut	236698	236698	N/A	1
Small After Mixer	236836	236836	N/A	6
Small Mixer Element Only	237961	237961	N/A	12
Large Flare Nut	236698	236698	236698	1
Large After Mixer	N/A	N/A	237621	
Large Mixer Elements Only	N/A	N/A	309990	
Optimizer Cartridge	236852	238858	236838	1
Tee Handle 5/32" Wrench	N/A	N/A	N/A	1
Outer O-Ring, Large Red / Blue Plug Val	237643	237643	237643	4
Center O-Ring, Large Red / Blue Plug Val	237642	237642	237642	2
Cartridge Tip Adapter Carrier O-Ring	236694	236694	236694	2
Cartridge Seat O-Ring, Teflon	236691	236691	236691	2
Cartridge Tip Adapter . Valving Block O-R	236693	236693	236693	2
Plastic Compartment Box	N/A	N/A	N/A	1
Cartridge Tip Adapter - Small Aftermixer Straight	236693	236693	N/A	1
Cartridge Tip Adapter - Large Aftermixer Straight	N/A	N/A	236699	
Tee Handle 1/8" Wrench	N/A	N/A	N/A	4
Filter Screen	2366399	2366399	2366399	1
Complete Gun Spare Parts Kit	238285	238826	240043	